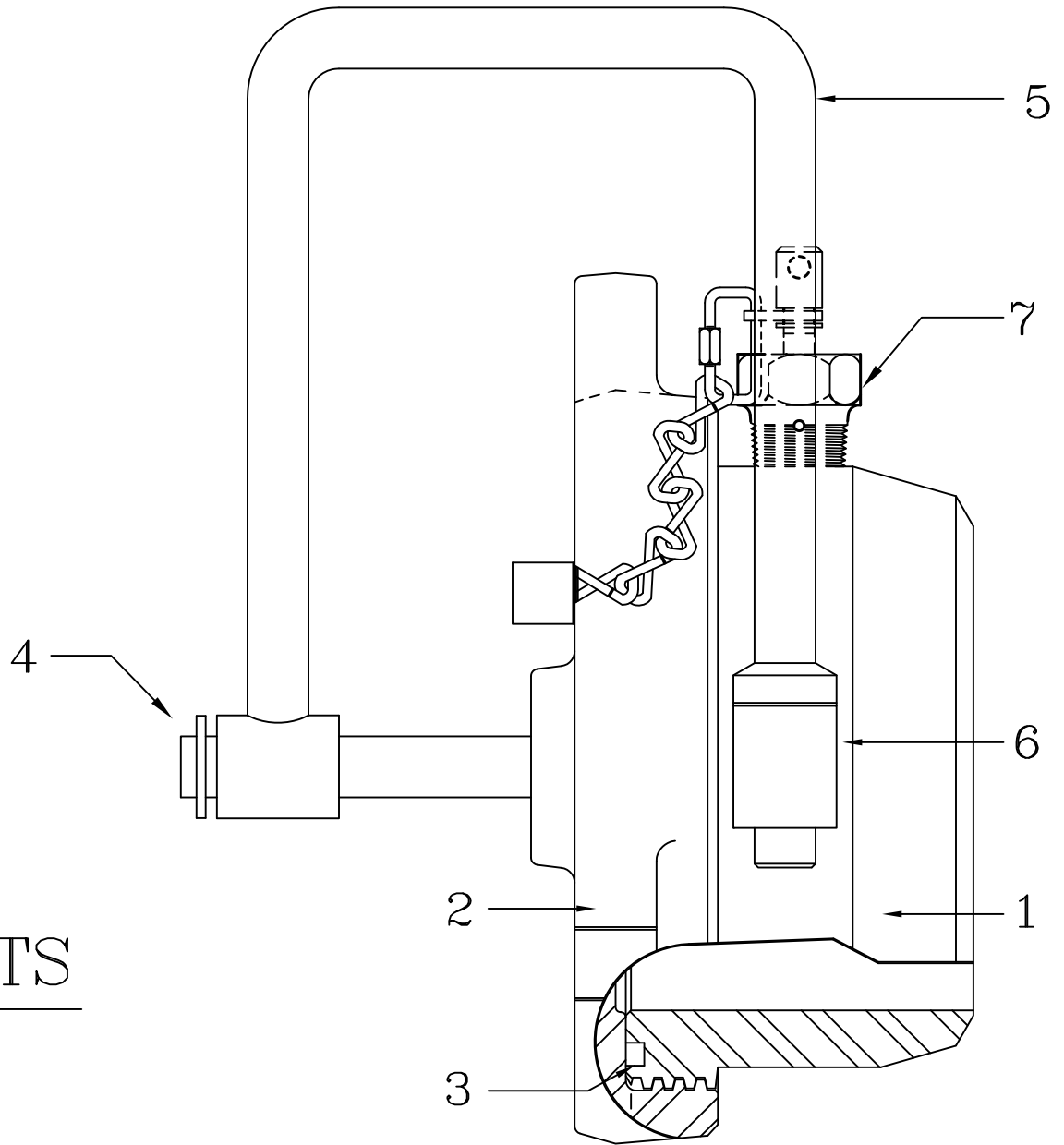


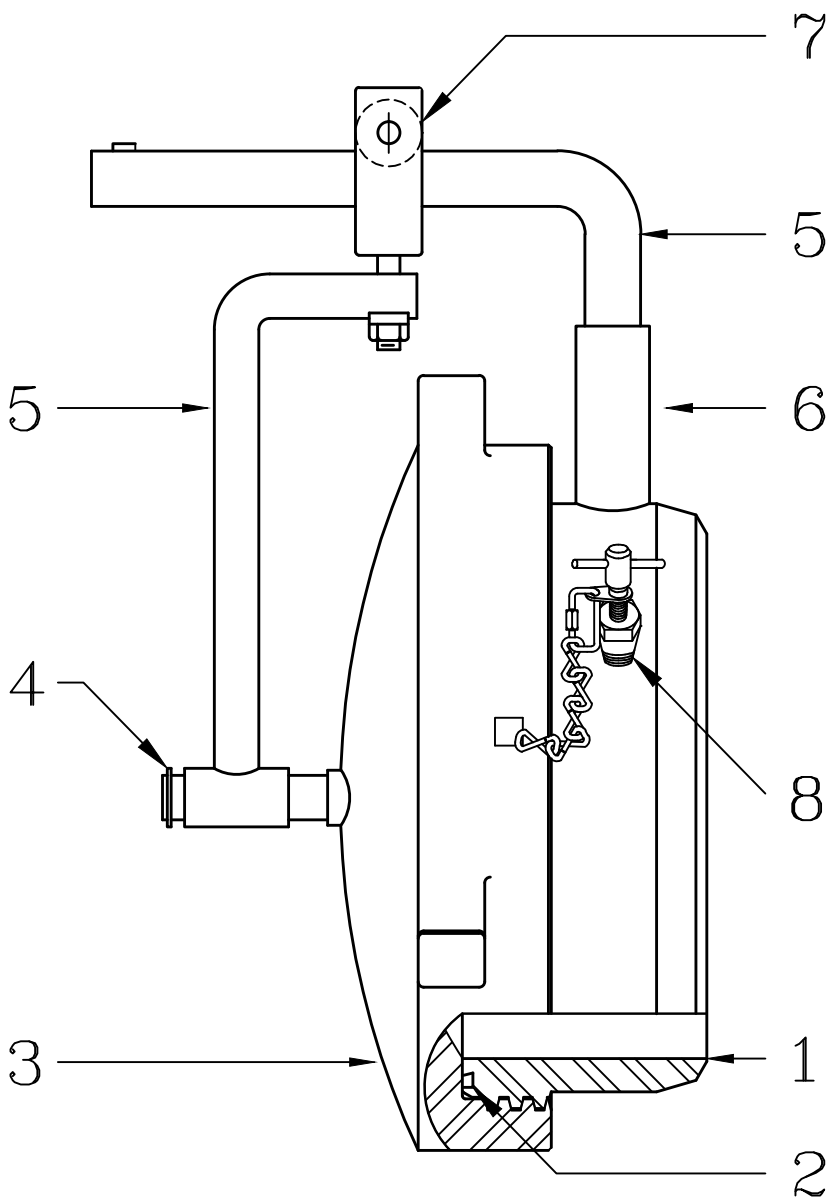
MODCO FIG. 500 HOR. / VERT.



PARTS

1. Sub
2. Cap
3. O-Ring
4. Cap Pin
5. Hinge Arm
6. Hinge Assy.
7. PAV w/ Chain

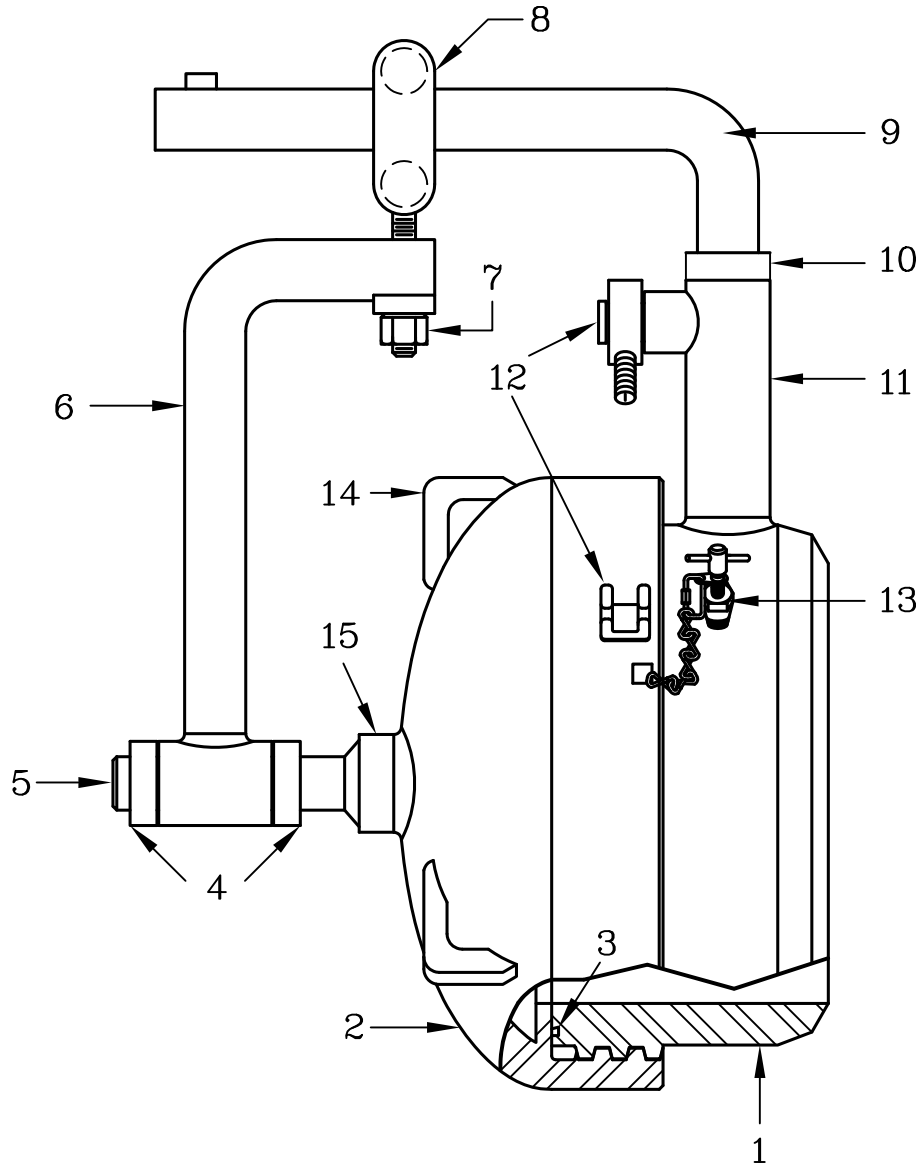
MODCO FIG. 500 HORIZONTAL



PARTS

1. Sub
2. O-Ring
3. Cap
4. Cap Pin
5. Hinge Arm
6. Socket Base
7. Hinge Assembly
8. PAV w/ Chain

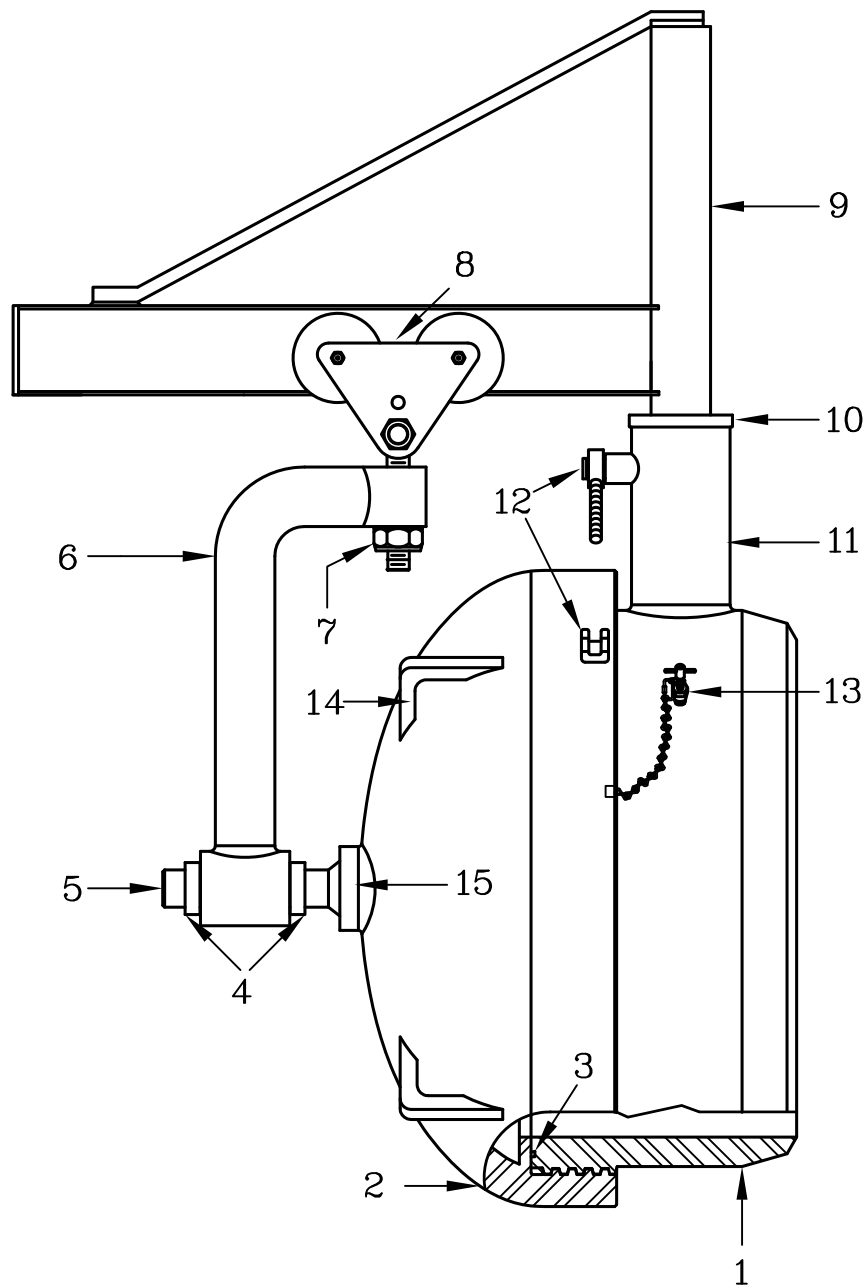
MODCO FIG. 500 HORIZONTAL HINGE



PARTS

- | | |
|---------------------|--|
| 1. Sub | 9. Jib Column |
| 2. Cap | 10. Dust Cover |
| 3. O-Ring | 11. Jib Column Housing and Top Radial & Lower Thrust Bearing |
| 4. Set Collars | 12. Lug and Pin |
| 5. Cap Center Pin | 13. PAV w/ Chain |
| 6. Hinge Arm | 14. Cap Ribs |
| 7. Vertical ADJ Nut | 15. Cap Boss |
| 8. Trolley | |

MODCO FIG. 500 HORIZONTAL HINGE



PARTS

- | | |
|---------------------|--|
| 1. Sub | 9. Jib Column |
| 2. Cap | 10. Dust Cover |
| 3. O-Ring | 11. Jib Column Housing and Top Radial & Lower Thrust Bearing |
| 4. Set Collars | 12. Lug and Pin |
| 5. Cap Center Pin | 13. PAV w/ Chain |
| 6. Hinge Arm | 14. Cap Ribs |
| 7. Vertical ADJ Nut | 15. Cap Boss |
| 8. Trolley | |